

Metroparks Toledo Track Chair

Hit the trails of Oak Openings Preserve Metropark and set out on an adventure with the freedom of an all-terrain power wheelchair. This chair easily rolls over rocks, roots, sand, mud, and snow, allowing users to explore almost any trail. The chair can be rented for personal use at Oak Openings Preserve Metroparks Lodge free of charge.

For safety reasons, users are required to bring a companion. Also, if assistance is needed to transfer to the Track Chair, the companion must be able to assist with the transfer. Park staff and/or volunteers are unable to assist with transfers.

The Track Chair has a seat width of 22 inches and no maximum weight restrictions. Features include: Comfort Tek back, seat base, and armrest, 4 point harness, 9" seatbelt extension, armrest pockets, attendant control, flip up footrest to help with transfers, head rest, lateral leg supports, lateral side reports, oxygen tank holder, and transfer handle and backpack hook.

Rental is free thanks to a Reeve Foundation Grant. The Track Chair is available to use year-round for three hours at a time maximum. Rentals are out of the Oak Openings Lodge where many different trails can be accessed.

[Click Here](#) to request the Track Chair. This is only a request. You will receive an email confirmation as soon as possible after filling out the request. If you need assistance filling out this form or if you have questions, please call Ashley Smith, Manager of Public Programs at 419-265-2920.

Your Reservation

Thank you for requesting the Metroparks Track Chair. We will meet you at the Oak Openings Lodge at Oak Openings Preserve Metropark located at 5230 Wilkins Rd, Whitehouse, OH 43571. Here is a [Google Map](#) of the location.

- Please arrive early to unload and use the restroom before you meet the staff.
 - If you are running late or lost, please call me to confirm that you are on your way.
 - Restrooms are available in the lodge.
- Bring drinking water in a reusable bottle.
- Please dress for the weather and wear appropriate footwear. No flip flops.
 - Layers and non-cotton clothing are recommended for a hike (or roll) in the woods.
- Be prepared for mosquitoes and bring sun protection like sunglasses, a hat, and sunscreen.
- The Track Chair is capable of operating in the rain and we welcome you to use it in those conditions. Please call if you are cancelling due to weather or any other reason.
- Familiarize yourself with the [Oak Openings Park Map](#) before you arrive.



Transfer Tips

- The Track Chair has a seat width of 22 inches and no maximum weight restrictions. If you are a smaller individual please bring your favorite cushions. We will also have positioning foam available to help you feel secure.
- For safety reasons, users are required to bring a companion. Also, if assistance is needed to transfer to the Track Chair, the companion must be able to assist with the transfer. Park staff and/or volunteers are unable to assist with transfers.
- If helpful:
 - Both armrests flip up
 - Footrest flips up
 - Track Chair can tilt forward or backward
 - Transfer handle available (see details below)

Accessories

We have a wide variety of accessories available for your safety and comfort. Please let me know if you think you would benefit from one or all of these items. We can have them installed and ready to go to maximize your time on the trail.

- 9" Seat belt extension
- Attendant control
- Flip up footrest
- Four-point harness
- Head rest
- Right and left lateral leg support
- Right and left lateral side support (coming soon)
- Oxygen tank holder
- Transfer/backpack handle

See the catalog below for more specific information on the chair and accessories.

Please call, text, or email me if you have any questions or concerns.

Happy trails!

Ashley Smith

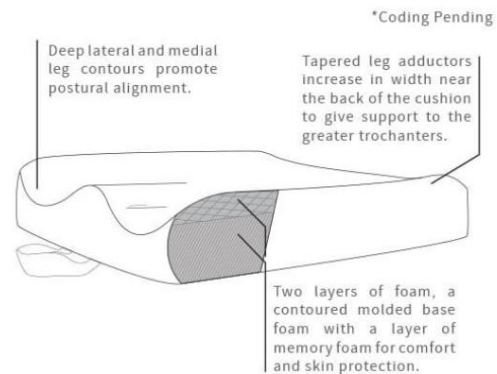
Manager of Public Programs

Mobile 419.265.2920
5100 West Central Avenue
Toledo, Ohio 43615-2106
MetroparksToledo.com
Pronouns: She, Her, Hers



COMFORT COMPANY SEATING

The Comfort Company Seating is an upgrade. The price listed reflects the price of the product when purchased with an Action Trackchair. Prices may vary when purchased separately. SEAT: Anti-Thrust which provides anterior pelvic build-up to prevent forward migration. Deep lateral and medial leg contours promote postural alignment. Tapered leg adductors increase in width near the back of the cushion to give support to the greater trochanters. Two layers of foam, a contoured molded base foam with a layer of memory foam, provide comfort and skin protection. Comes standard with non-skid bottom and hook and loop attachment. BACK: Patented moldable aluminum stays conform and support the user's back. Durable aluminum shell comes with head support holes. Aluminum shell comes with lateral trunk support hardware slots. Three layer foam construction, including comfortable Visco surface layer. Adjustable Not available on NT-14 and NR-14



COMFORT COMPANY ARMRESTS WITH POCKETS

Comfort Company Flat Armrests provide support for contractures and tone, while preventing finger drop. The arm support has comfortable straps for securing the arm and can be easily adjusted or removed. Comfort Company Flat Armrests has a solace fabric cover option which is fluid-proof, anti-microbial, and soft to the touch. This cover is designed for pressure relief and comfort and the multi-dimensional stretch design alleviates pressure on bony prominences and provides optimal skin protection.

ADDITIONAL INFORMATION

SKU: [comfortcompanyarmrestwpockets](#)



HEAD REST

The Head Rest adds additional neck and head support for the user. This option is strongly recommended for those users who are 5'10" and taller, or with weaker upper body strength. The color of the Head Rest will match the seat color you choose.

ADDITIONAL INFORMATION

SKU: 30610

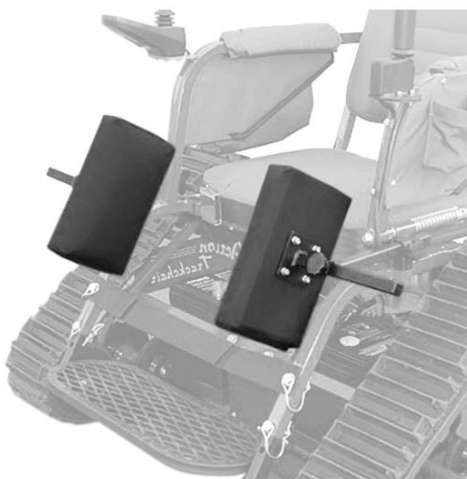


TRANSFER / BACKPACK HANDLE

The Transfer/Backpack Handle can act as either a transfer handle or a backpack hook, depending upon where and how it is mounted onto the Action Trackchair.

ADDITIONAL INFORMATION

SKU: 30252



LATERAL LEG SUPPORT (RIGHT)

The lateral leg supports are helpful for those who need added support to keep their legs in place. The supports are fully adjustable.

ADDITIONAL INFORMATION

SKU: 30617-R

LATERAL LEG SUPPORT (LEFT)

ADDITIONAL INFORMATION

SKU: 30617-L

9" SEAT BELT EXTENSION

If the included lap belt is not long enough, this extension provides an extra 9" of length.



ADDITIONAL INFORMATION

SKU: 70403

ATTENDANT CONTROL

The Action Trackchair Attendant Control is intended for an individual who may not be able to control the chair via the joystick but still wants to get out and about. The Attendant Control allows a separate individual to stand behind the chair and control it. It also makes loading and unloading the chair from a carrier a breeze.

ADDITIONAL INFORMATION

SKU: 30510





OXYGEN TANK HOLDER

This oxygen tank holder securely fastens to the back of any Trackchair models. It will hold a tank up to 4.5" in diameter.

ADDITIONAL INFORMATION

SKU: 30280



FOUR-POINT HARNESS UPGRADE

The Four-Point Harness is great for securing an individual who may not have complete control of their upper body. The Four-Point Seat Belt comes standard on the TR, PR and PT models, but can also be added as an upgrade on the ST & NT models.

ADDITIONAL INFORMATION

SKU: 30750



FLIP-UP FOOTREST UPGRADE

The Flip-Up Footrest allows for easier transfers from a wheelchair to the Action Trackchair. The individual is able to get closer to the Action Trackchair with his or her wheelchair. The Flip-Up Footrest is an upgrade. The price listed reflects the price of the product when purchased with an Action Trackchair. Prices may vary when purchased separately.

ADDITIONAL INFORMATION

SKU: 30100



LATERAL SIDE SUPPORT (LEFT)

LATERAL SIDE SUPPORT (RIGHT)

The Action Trackchair Lateral Side Support is great for an individual who has a hard time keeping themselves upright. It adds additional padding to the side of the chair allowing for a more secure fit in the chair. This is also a great option for children/young adults as it will allow room for growth into the Action Trackchair, keeping your investment secure throughout their growing stages.

ADDITIONAL INFORMATION

SKU: 30615-L

ADDITIONAL INFORMATION

SKU: 30615-R